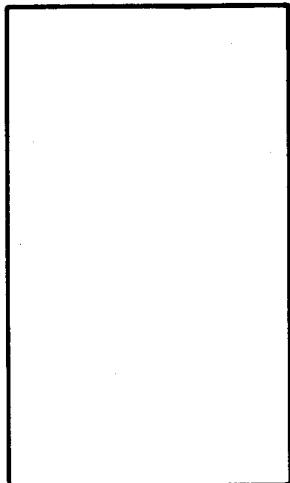
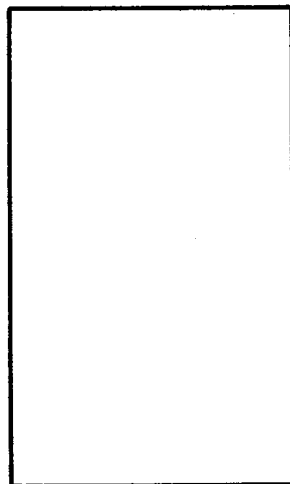


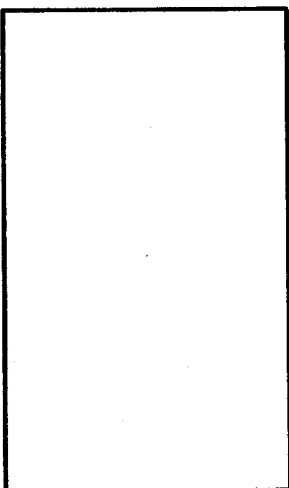
CAST IRON AND GENERAL
PURPOSE



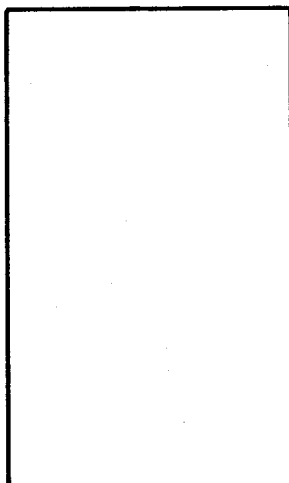
STEEL



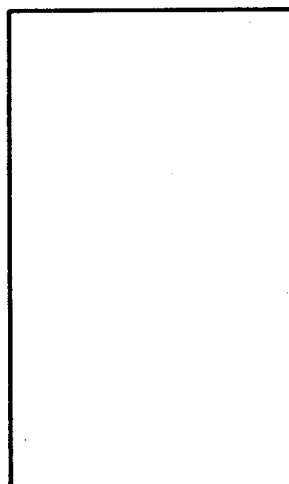
ALUMINUM AND MAGNESIUM



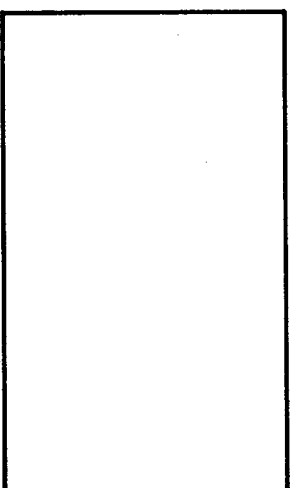
BRASS, BRONZE, AND COPPER



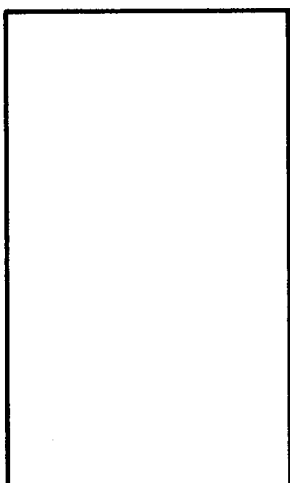
WHITE METAL, ZINC, AND LEAD



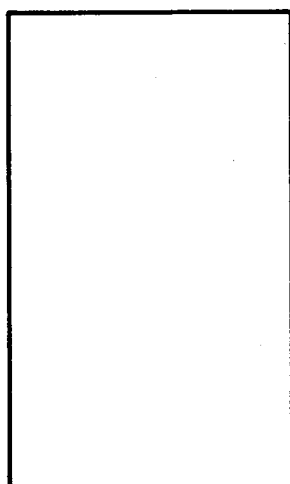
RUBBER AND PLASTIC



CONCRETE



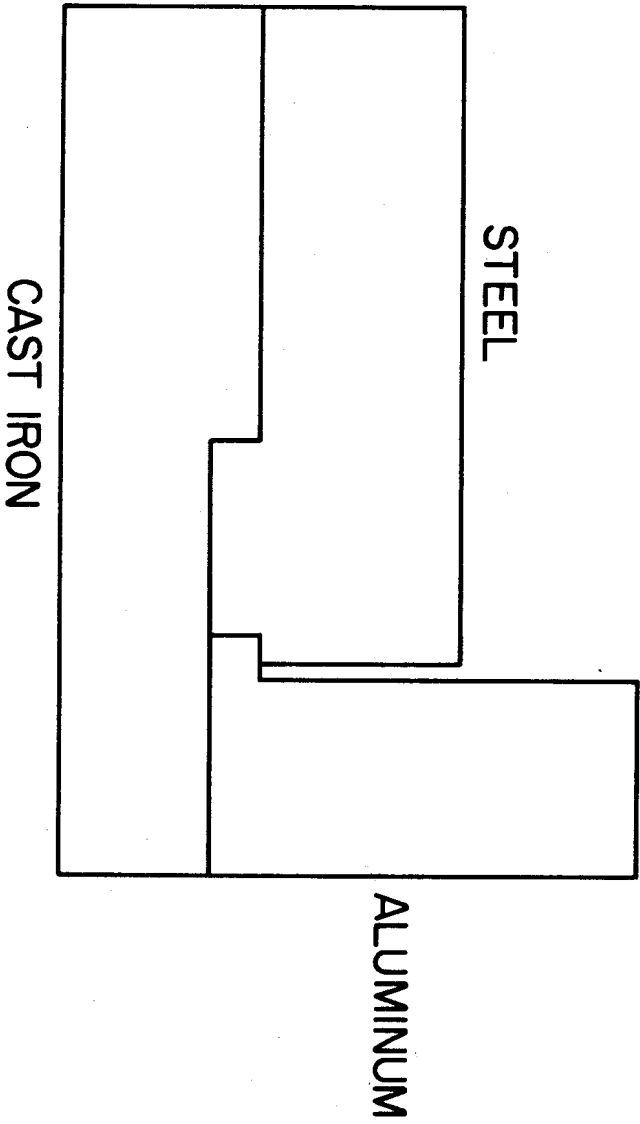
WOOD (WITH GRAIN)



WOOD (END GRAIN)

PROBLEM - DRAW THE ACCEPTED SECTION LINES FOR THE MATERIAL LISTED

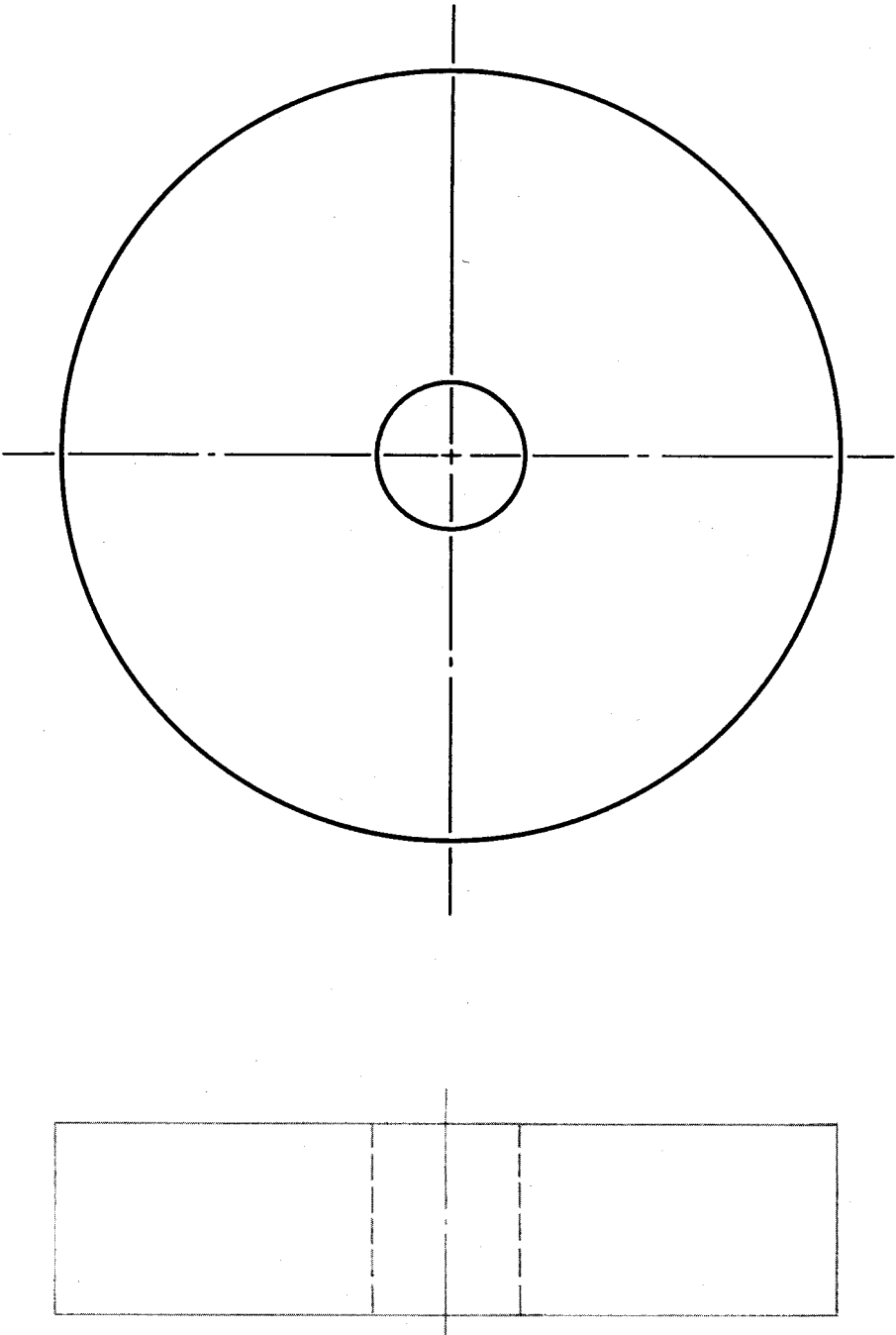
TITLE: SECTION LINES



PROBLEM-DRAW IN THE APPROPRIATE SECTION LINING.

TITLE: SECTIONING

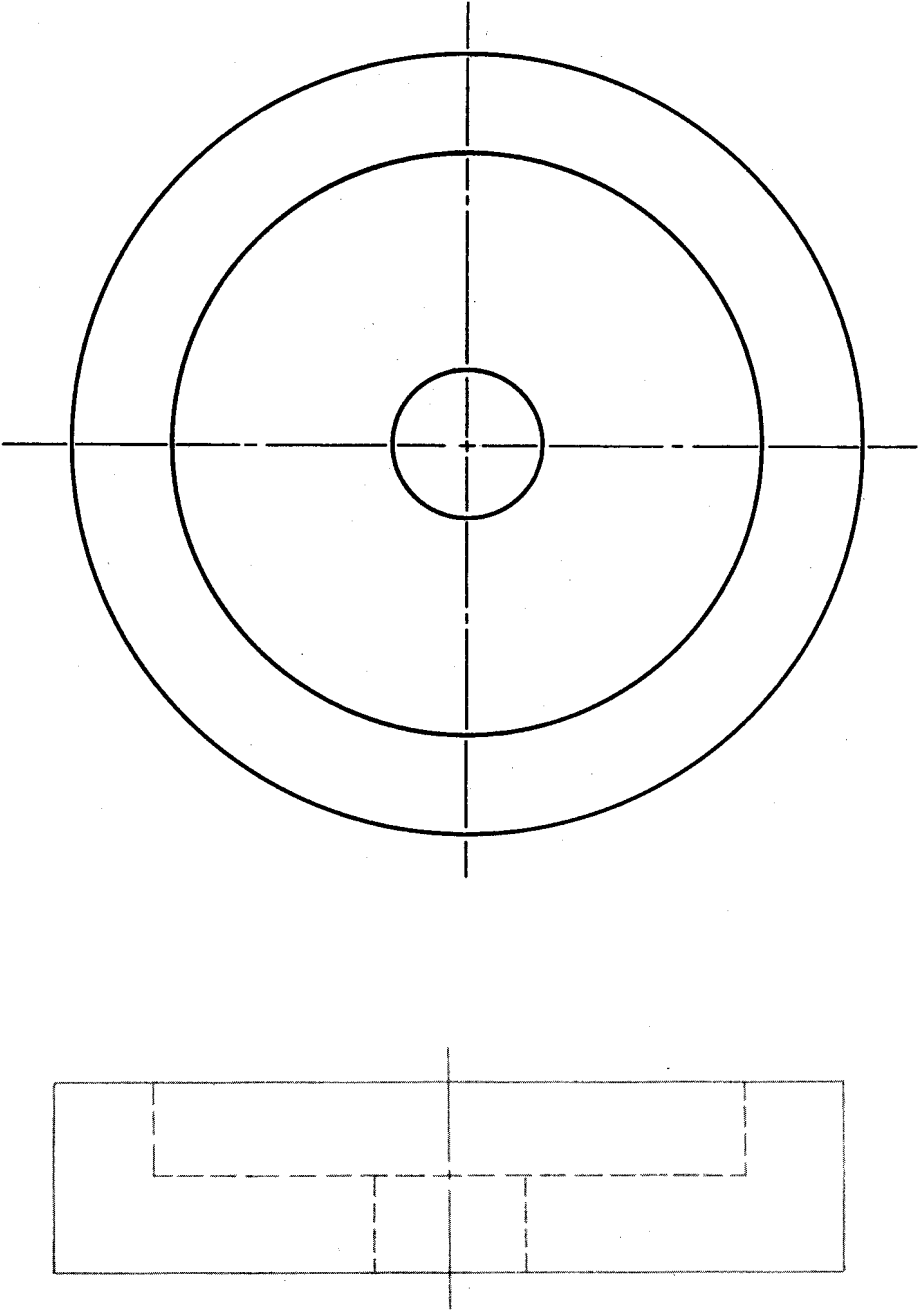
10-2



PROBLEM - DRAW A FULL SECTION AND DIMENSION DRAWING.

TITLE: GRINDING WHEEL

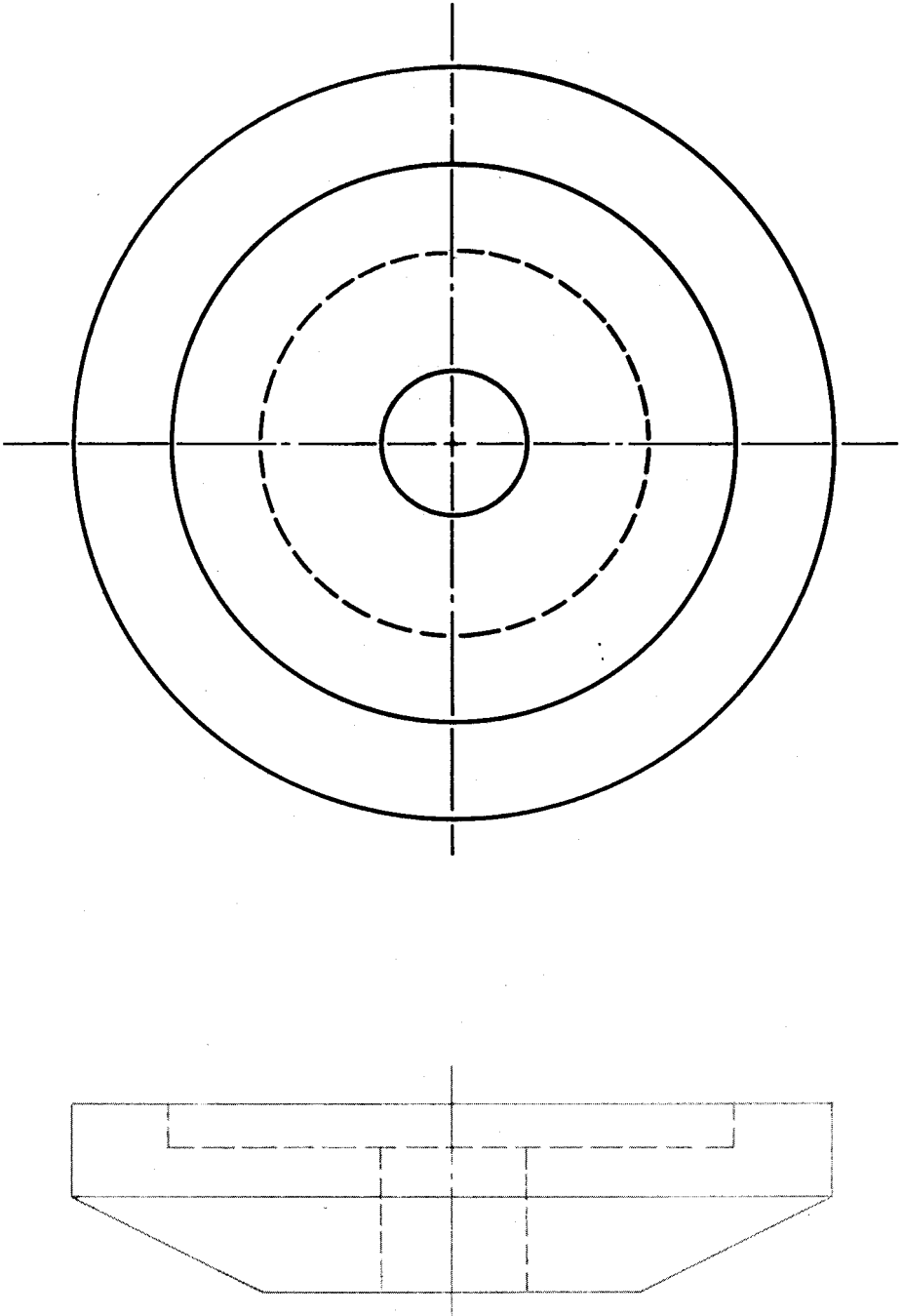
10-3



PROBLEM-DRAW A FULL SECTION AND DIMENSION DRAWING.

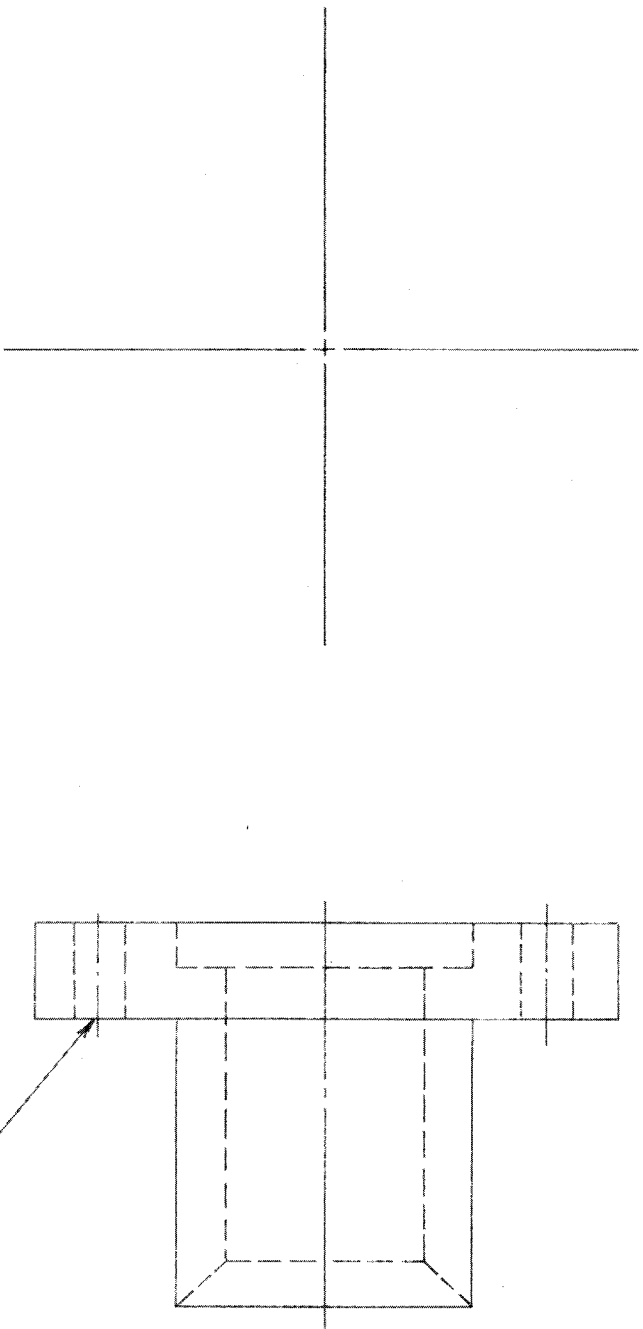
TITLE: GRINDING WHEEL

10-4



PROBLEM - DRAW A HALF SECTION AND DIMENSION DRAWING.

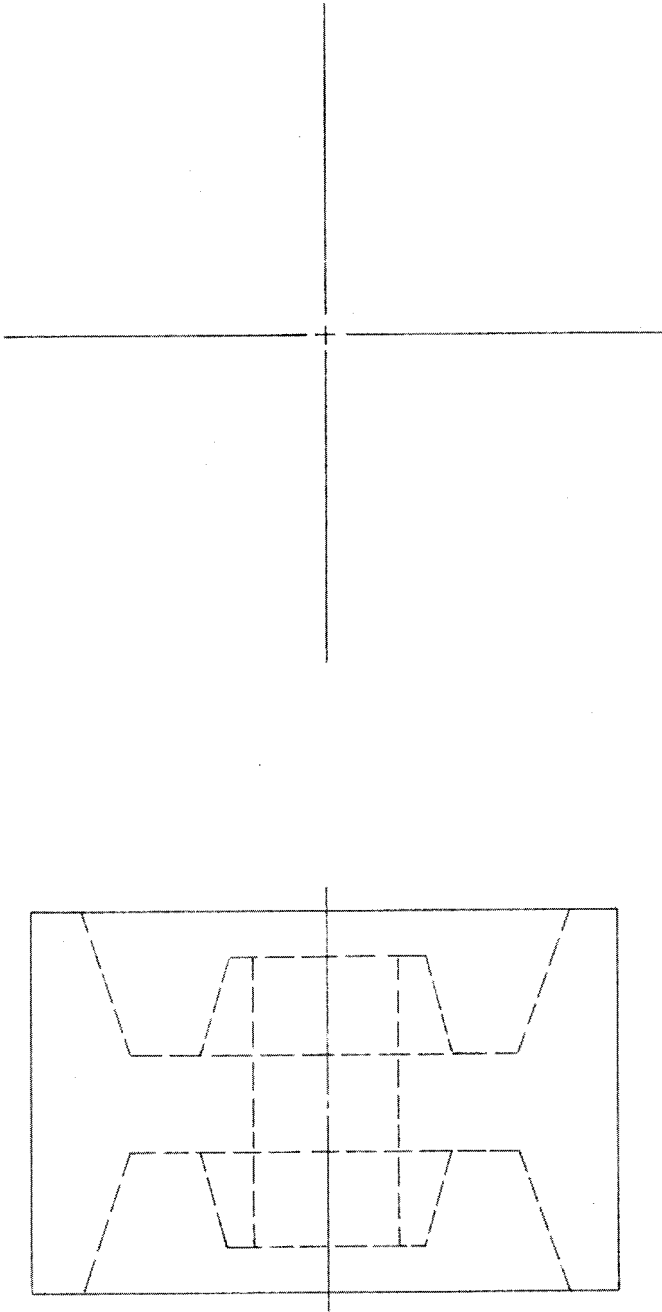
TITLE: GRINDING WHEEL



PROBLEM - COMPLETE FRONT VIEW AND DRAW A FULL SECTION. DIMENSION.

TITLE: COUPLING

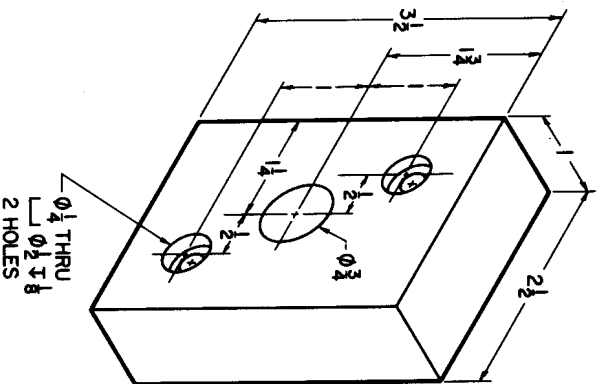
10-6



PROBLEM - COMPLETE FRONT VIEW AND DRAW A HALF SECTION.

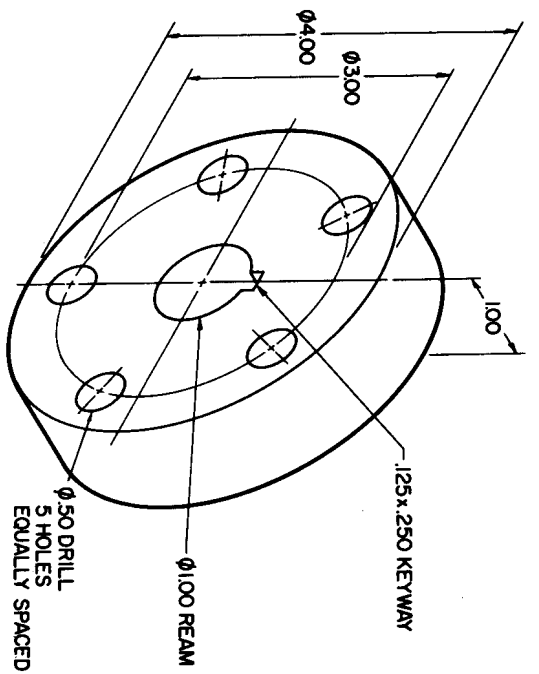
TITLE: FLAT BELT PULLEY

10-7



PROBLEM-
DRAW THE VIEWS NEEDED
TO DESCRIBE THE OBJECT.
DRAW THE RIGHT SIDE
VIEW AS AN OFFSET
SECTION THROUGH THE
THREE HOLES.
DIMENSION.





PROBLEM -
DRAW THE VIEWS NEEDED
TO DESCRIBE THE OBJECT.
DRAW THE RIGHT SIDE
VIEW AS A FULL SECTION.
DIMENSION.

TITLE: ADAPTER PLATE

10-10