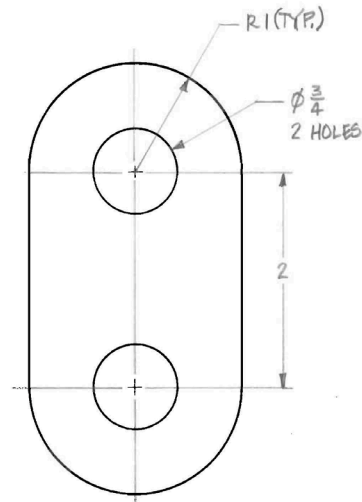
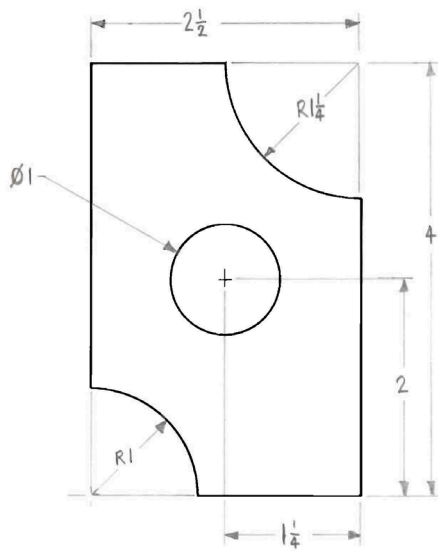


UNIT 9-3 thru 9-6 SOLUTIONS

Copyright by Goodheart-Willcox Co., Inc.



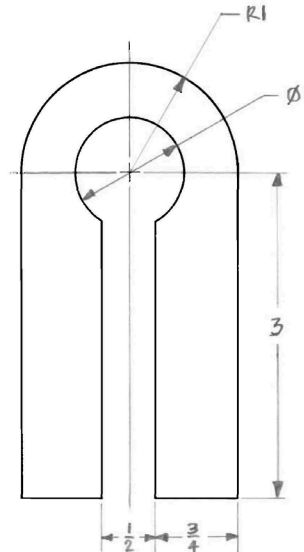
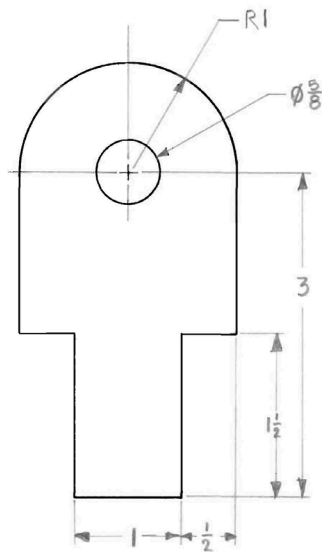
TITLE: DIMENSIONING

PROBLEM- DIMENSION CORRECTLY

FREEDOM HIGH SCHOOL OAKLEY, CALIFORNIA	DIMENSIONING	MR. BEHLING JANUARY 2010	9-3
---	--------------	-----------------------------	-----

56

Copyright by Goodheart-Willcox Co., Inc.



TITLE: DIMENSIONING

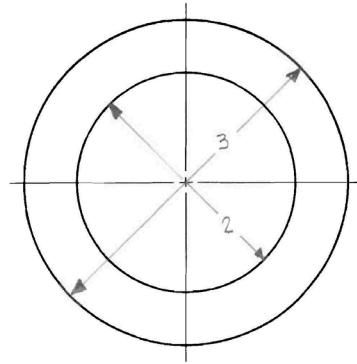
PROBLEM-DIMENSION CORRECTLY

FREEDOM HIGH SCHOOL OAKLEY, CALIFORNIA	DIMENSIONING	MR. BEHLING JANUARY 2010	9-4
---	--------------	-----------------------------	-----

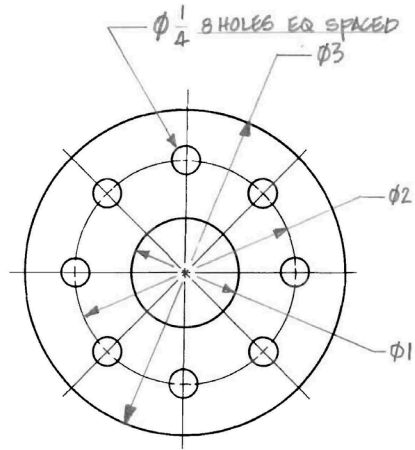
57

UNIT 9-3 thru 9-6 SOLUTIONS

Copyright by Gooden-Willcox Co., Inc.



TITLE: DIMENSIONING



PROBLEM - DIMENSION CORRECTLY

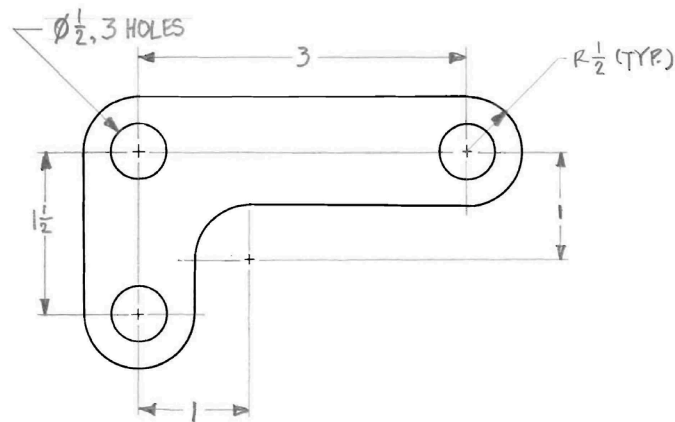
FREEDOM HIGH SCHOOL
OAKLEY, CALIFORNIA

DIMENSIONING

MR. BEHLING
JANUARY 2010

9-5

Copyright by Gooden-Willcox Co., Inc.



TITLE: DIMENSIONING

PROBLEM - DIMENSION CORRECTLY

FREEDOM HIGH SCHOOL
OAKLEY, CALIFORNIA

DIMENSIONING

MR. BEHLING
JANUARY 2010

9-6