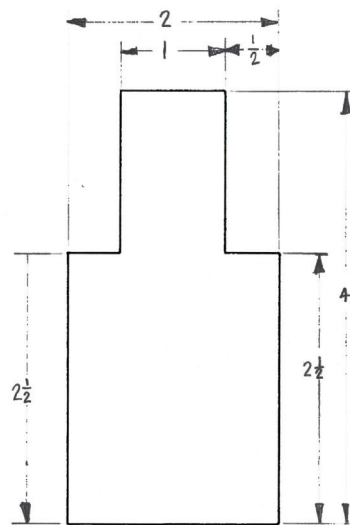
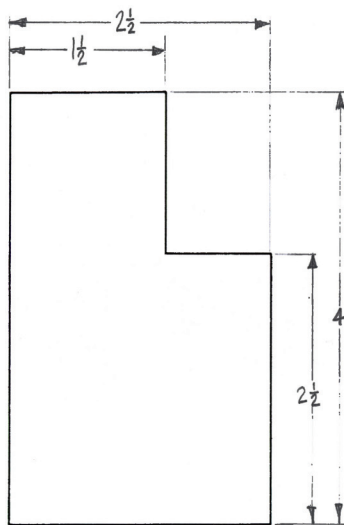


# UNIT 9-1 & 9-2 SOLUTIONS

Copyright by Goodheart-Willcox Co., Inc.



TITLE: DIMENSIONING

PROBLEM - DIMENSION CORRECTLY

FREEDOM HIGH SCHOOL  
OAKLEY, CALIFORNIA

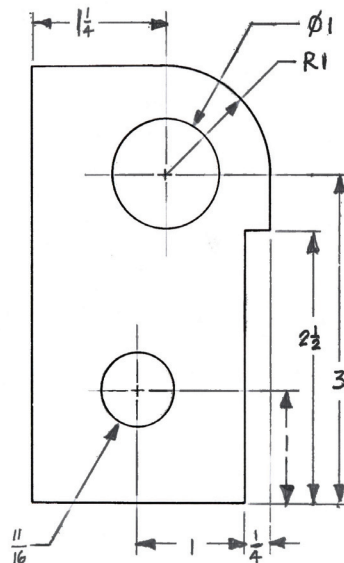
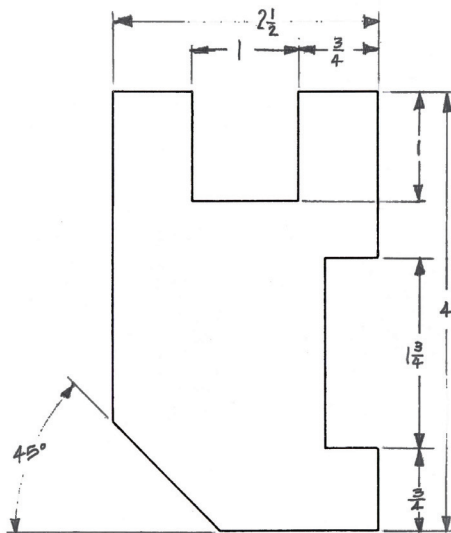
DIMENSIONING

MR BEHLING  
DECEMBER 2009

9-1

54

Copyright by Goodheart-Willcox Co., Inc.



TITLE: DIMENSIONING

PROBLEM - DIMENSION CORRECTLY

FREEDOM HIGH SCHOOL  
OAKLEY, CALIFORNIA

DIMENSIONING

MR BEHLING  
DECEMBER 2009

9-2

55