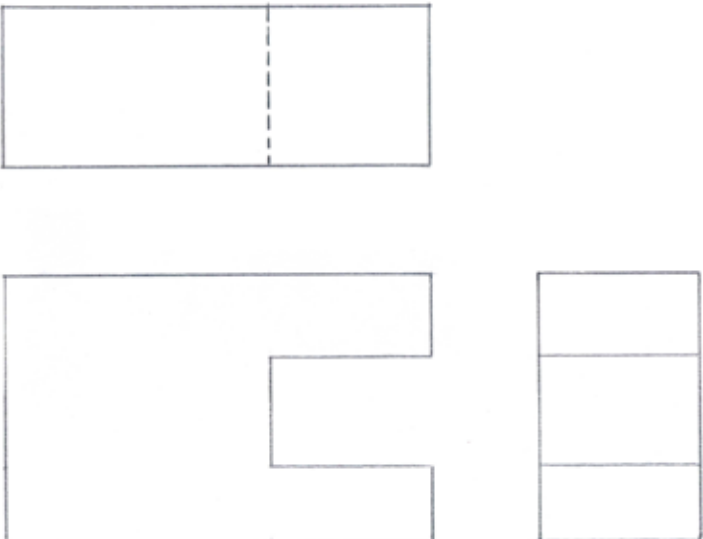
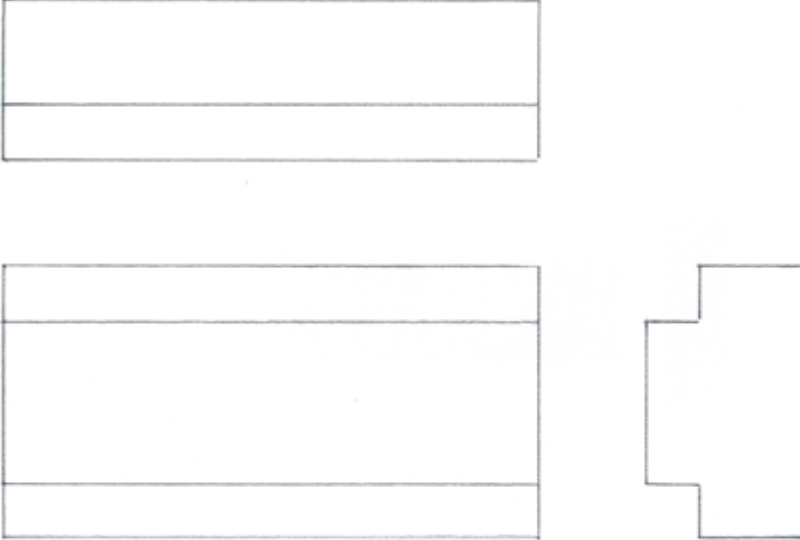


# UNIT 8 SOLUTIONS



FREEDOM HIGH SCHOOL	MULTI-VIEW DRAWING	MR. BEHLING	8-19
OAKLEY, CALIFORNIA		NOVEMBER 2009	



FREEDOM HIGH SCHOOL	MULTI-VIEW DRAWING	MR. BEHLING	8-23
OAKLEY, CALIFORNIA		NOVEMBER 2009	

# UNIT 8 SOLUTIONS


The drawing shows three views of a rectangular object with a notch on its right side. The top view is a simple rectangle with a horizontal dashed line near the bottom edge. The front view is a rectangle with three horizontal lines, including the top and bottom edges. The side view is a vertical rectangle with a notch on its left side, matching the notch in the front view.

FREEDOM HIGH SCHOOL OAKLEY, CALIFORNIA	MULTI-VIEW DRAWING	MR. PEHLING NOVEMBER 2009	8-24
---	--------------------	------------------------------	------

The drawing shows three views of a rectangular object with a V-shaped notch on its top edge. The top view is a rectangle divided into four equal vertical sections by three vertical lines. The front view is a rectangle with a V-shaped notch on its top edge. The side view is a vertical rectangle with a horizontal dashed line near the bottom edge.

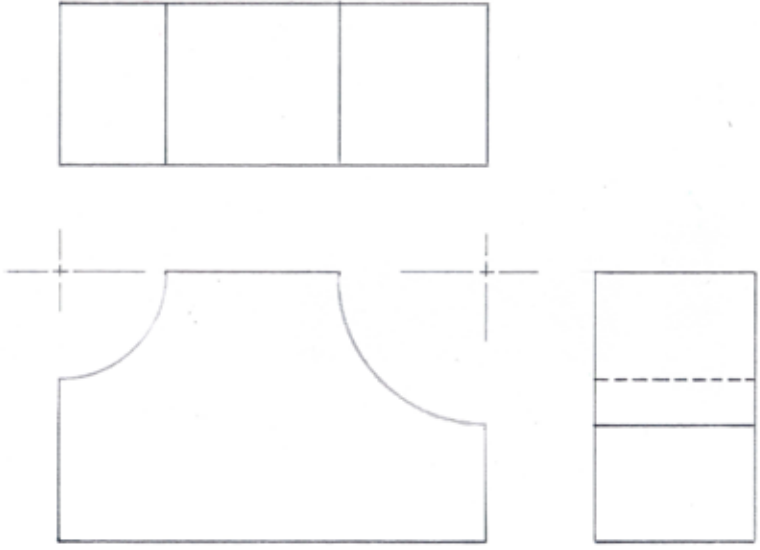
FREEDOM HIGH SCHOOL OAKLEY, CALIFORNIA	MULTI-VIEW DRAWING	MR. PEHLING NOVEMBER 2009	8-24
---	--------------------	------------------------------	------

# UNIT 8 SOLUTIONS



A multi-view drawing of a cylinder with a hole. The front view on the left is a rectangle with a solid horizontal centerline and two dashed horizontal lines representing the hole. The top view on the right is a circle with a smaller concentric circle inside, and both have a vertical and a horizontal centerline.

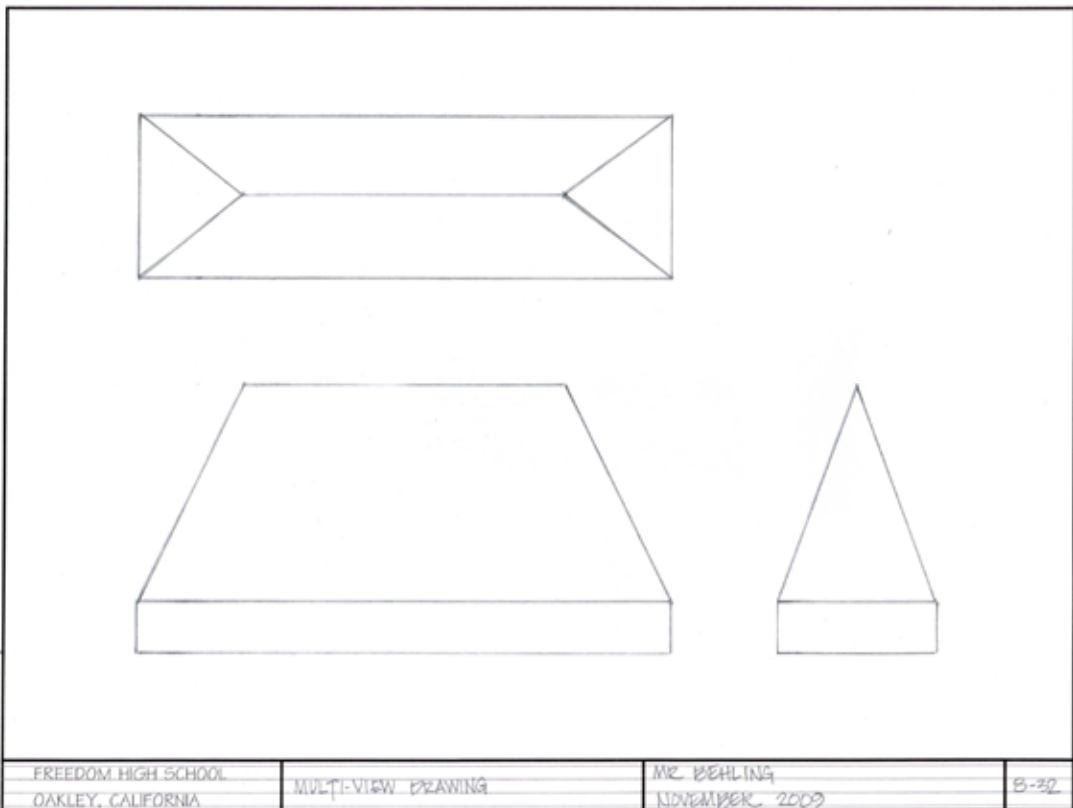
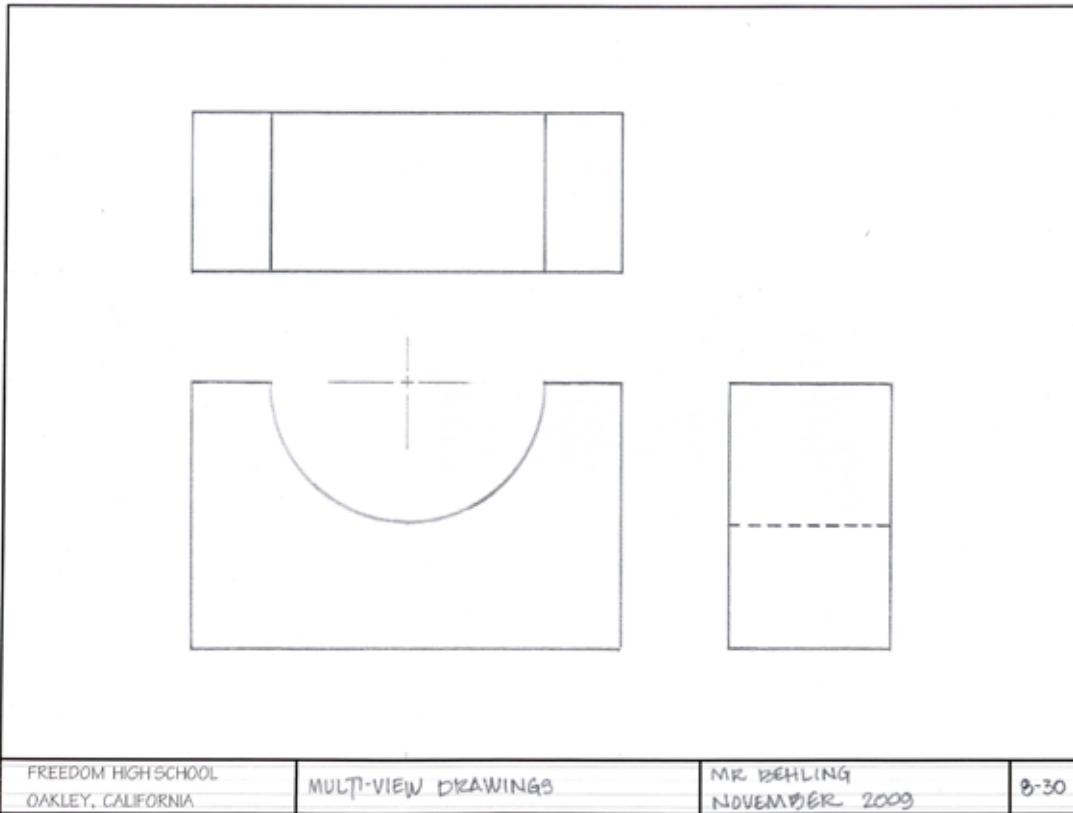
FREEDOM HIGH SCHOOL OAKLEY, CALIFORNIA	MULTI-VIEW DRAWING	MR. BETHLING NOVEMBER 2009	8-28
---	--------------------	-------------------------------	------



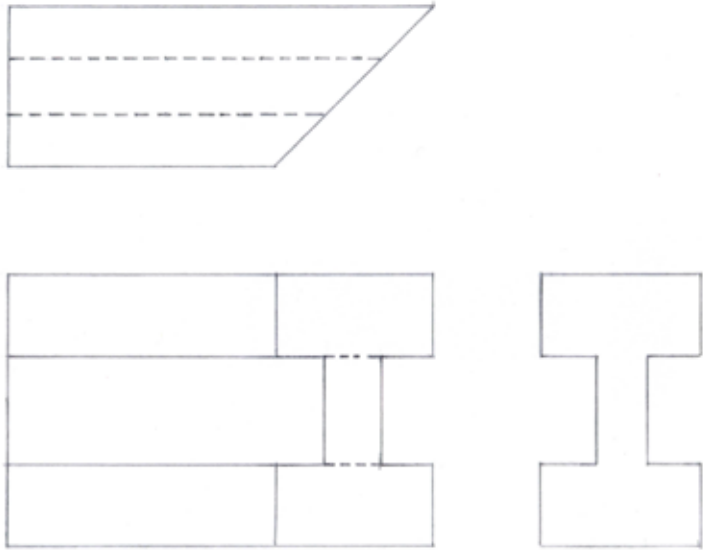
A multi-view drawing of a notched block. The top view is a simple rectangle divided into three equal-width sections. The front view shows a rectangular block with a semi-circular notch on its top surface. The notch is centered and its width is equal to the width of the middle section of the top view. The side view is a rectangle with a dashed horizontal line in the middle, indicating the hidden back edge of the notch.

FREEDOM HIGH SCHOOL OAKLEY, CALIFORNIA	MULTI-VIEW DRAWING	MR. BETHLING NOVEMBER 2009	8-29
---	--------------------	-------------------------------	------

# UNIT 8 SOLUTIONS

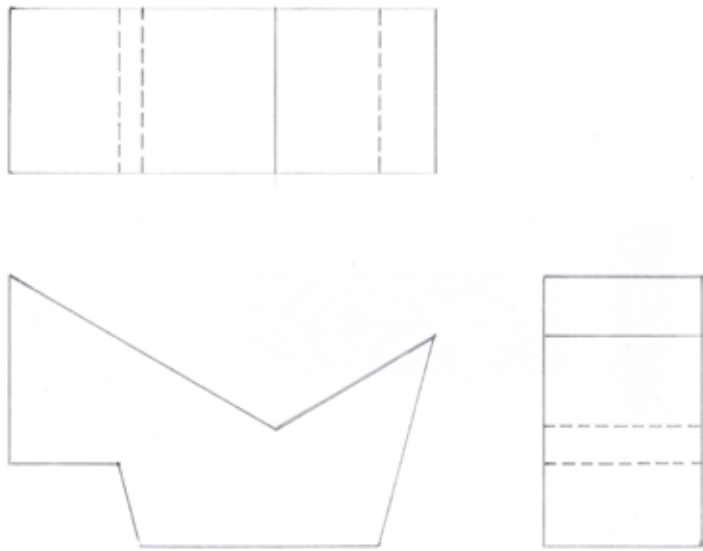


# UNIT 8 SOLUTIONS



The drawing shows three views of a trapezoidal prism with a rectangular hole. The top view is a trapezoid with a dashed line representing the hidden back edge. The front view shows the trapezoid with a rectangular hole in the center, indicated by dashed lines for the hidden back edges of the hole. The side view is a rectangle with a T-shaped cutout in the center.

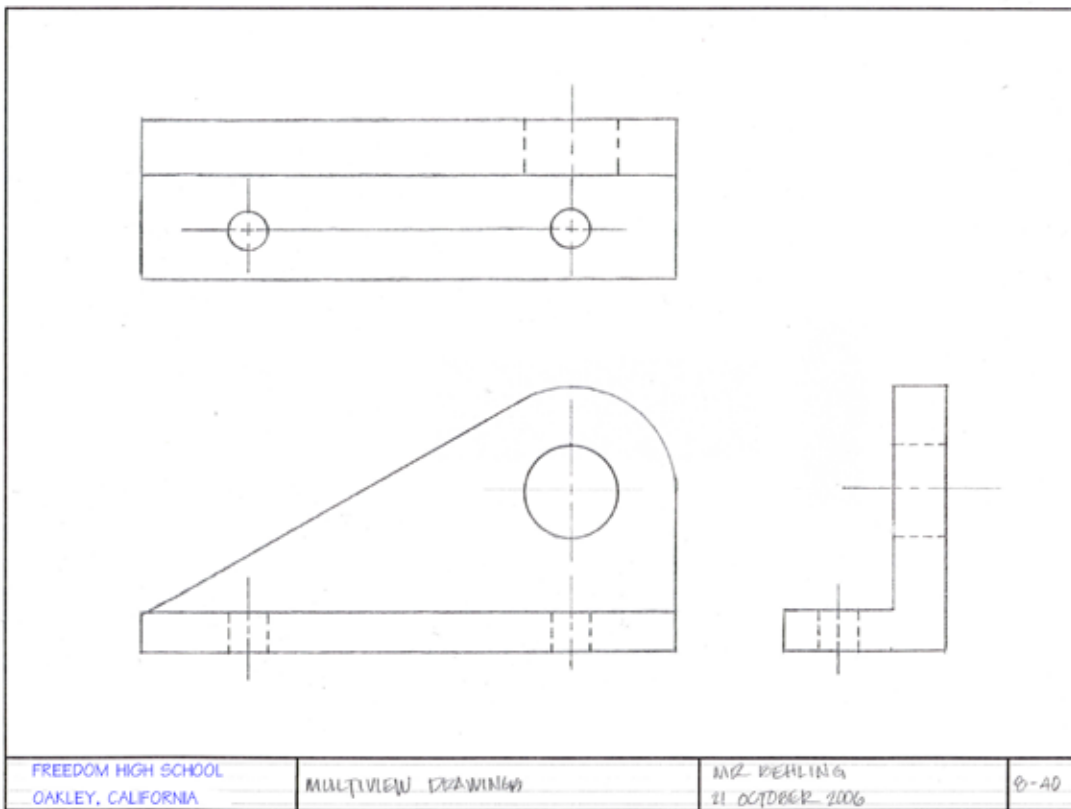
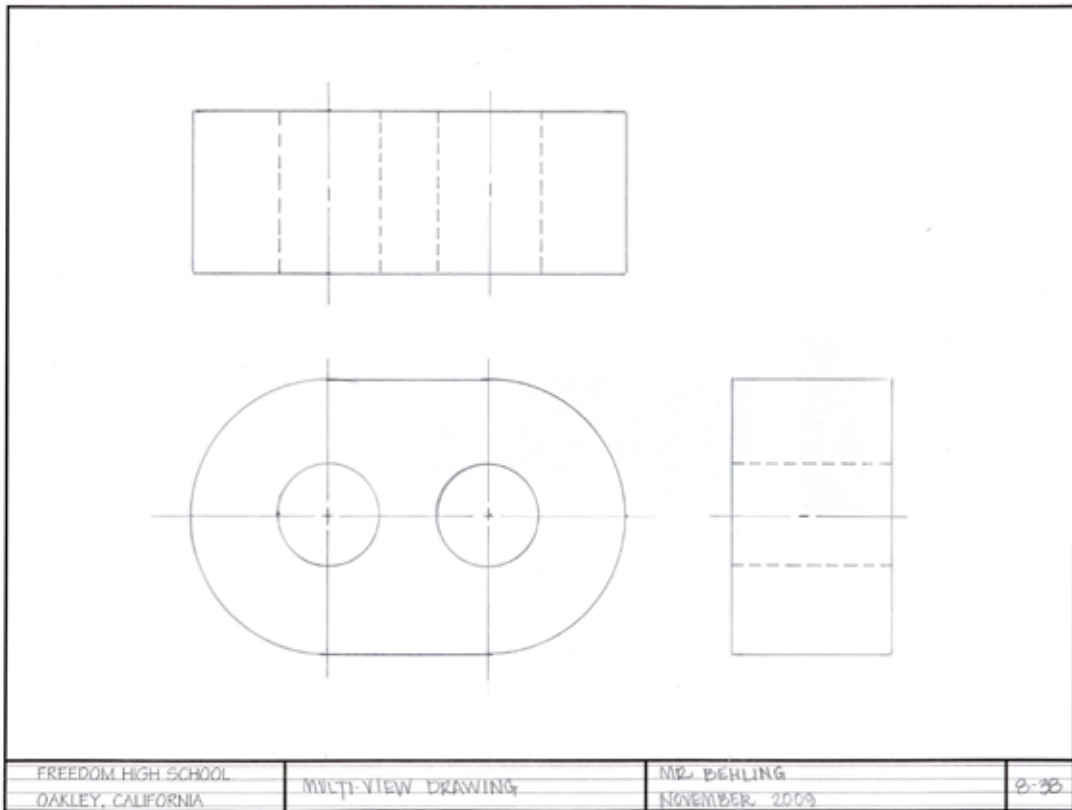
FREEDOM HIGH SCHOOL	MULTI-VIEW DRAWING	MR. BEHLING	8-34
OAKLEY, CALIFORNIA		NOVEMBER 2009	



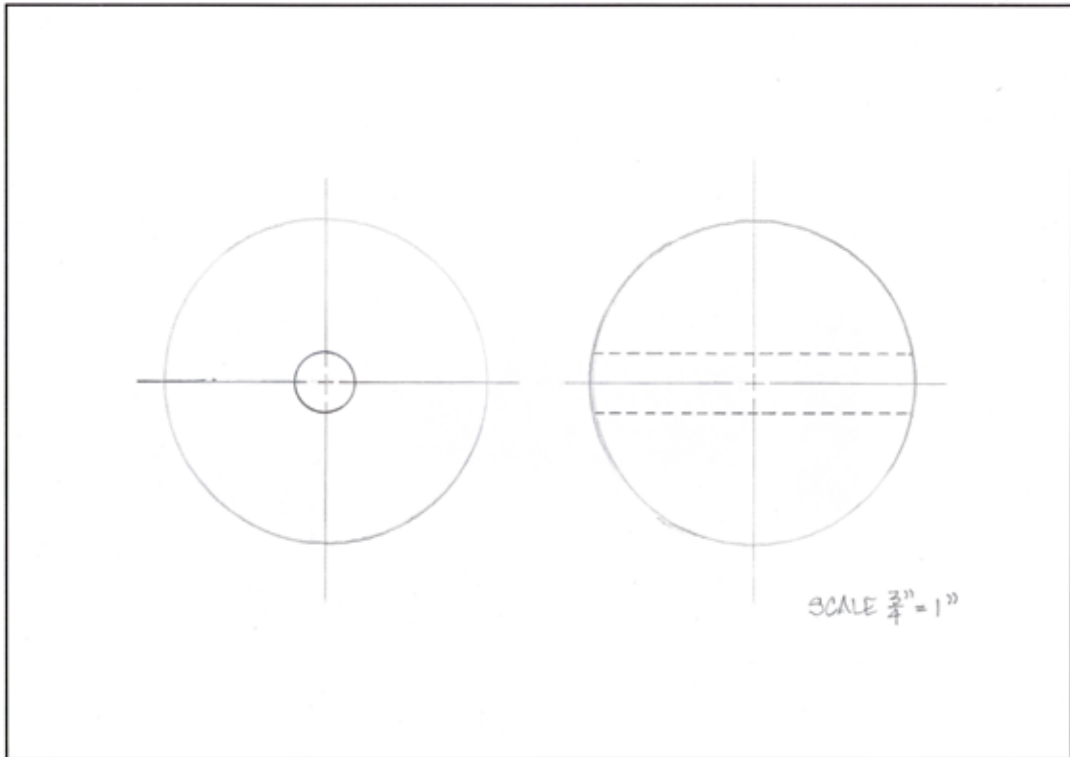
The drawing shows three views of a complex object. The top view is a rectangle with two vertical dashed lines. The front view is a complex shape with a V-shaped notch at the top and a rectangular cutout at the bottom. The side view is a rectangle with two horizontal dashed lines.

FREEDOM HIGH SCHOOL	MULTI-VIEW DRAWING	MR. BEHLING	8-36
OAKLEY, CALIFORNIA		NOVEMBER 2009	

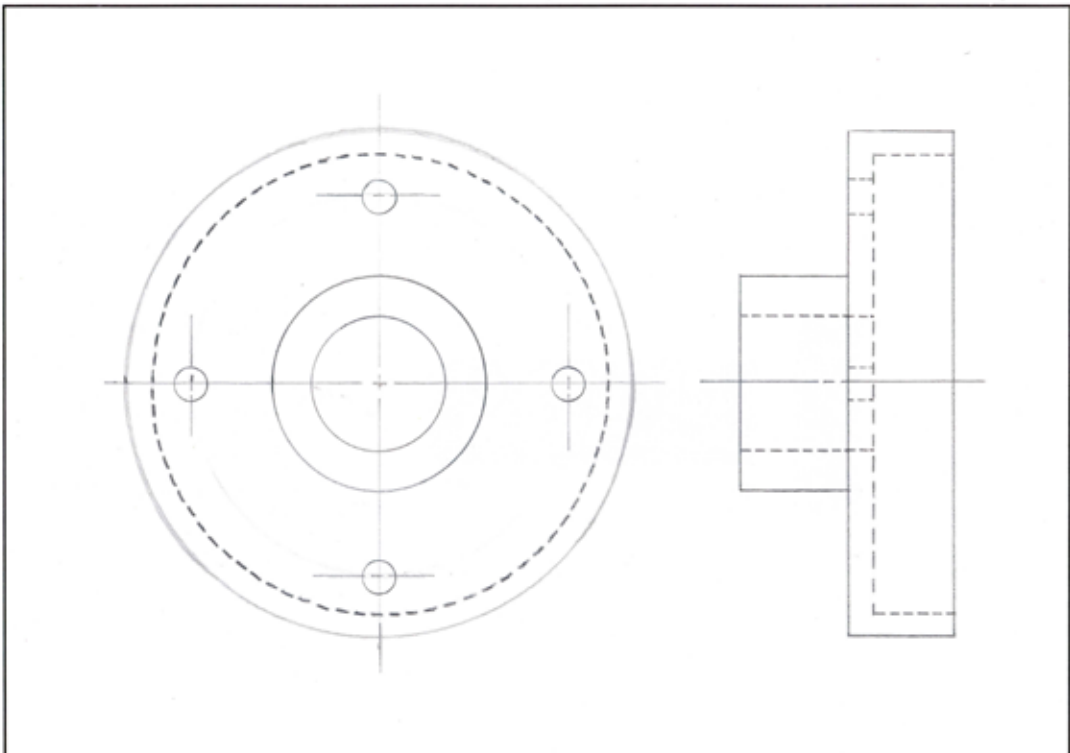
# UNIT 8 SOLUTIONS



# UNIT 8 SOLUTIONS



FREEDOM HIGH SCHOOL OAKLEY, CALIFORNIA	MULTIVIEW DRAWING	MR. DEHLING 21 OCTOBER 2006	B-42
---	-------------------	--------------------------------	------



FREEDOM HIGH SCHOOL OAKLEY, CALIFORNIA	MULTIVIEW DRAWING	MR. DEHLING 22 OCTOBER 2006	B-45
---	-------------------	--------------------------------	------

# UNIT 8 SOLUTIONS

