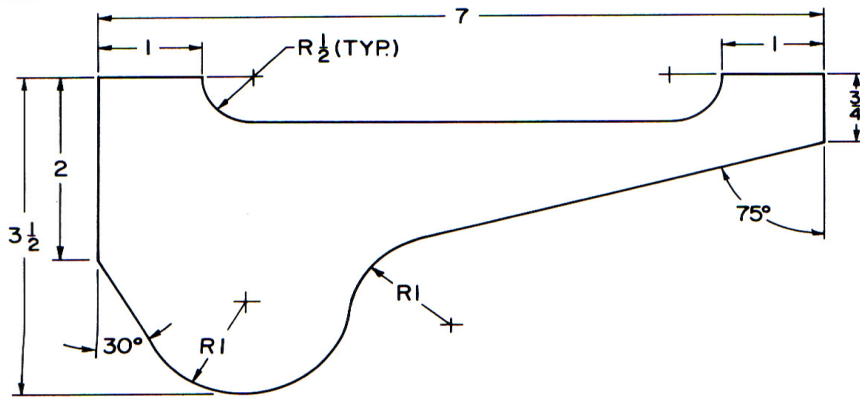
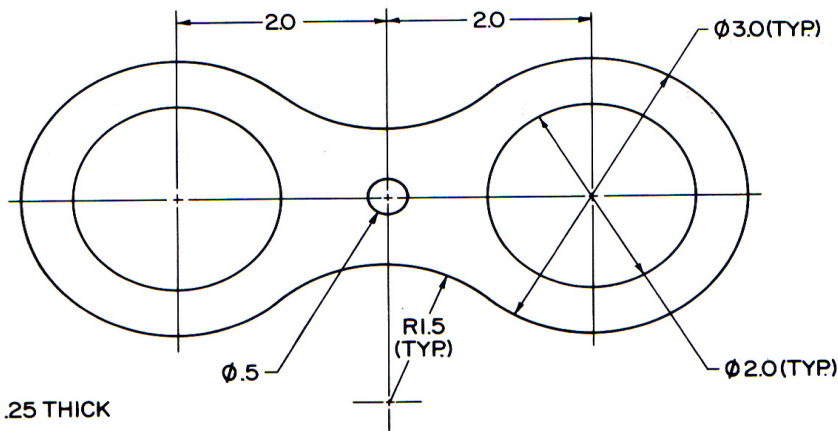


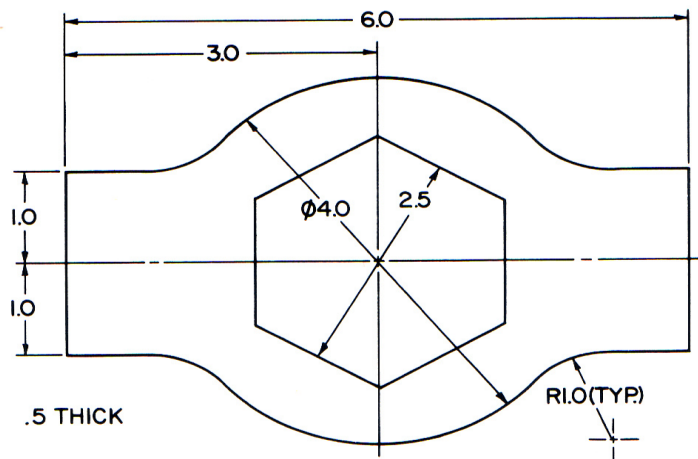
6-10 A  
C-CLAMP BODY



6-10 B  
TEMPLATE



6-10 C  
SPACER



6-10 D  
SPECIAL WRENCH